



## AQUATIC'S NEW ACCESSIBLE BATH



Innovative and stylish, the Ava provides easy access to the benefits of bathing hydrotherapy in a sleek, modern design. Access-friendly features include an easy-transfer automated door that lowers to open and rises to close, a bench-less design that offers a more immersive soaking experience, and a patent-pending quick-drain feature that lets the bather exit the bath in seconds instead of minutes.

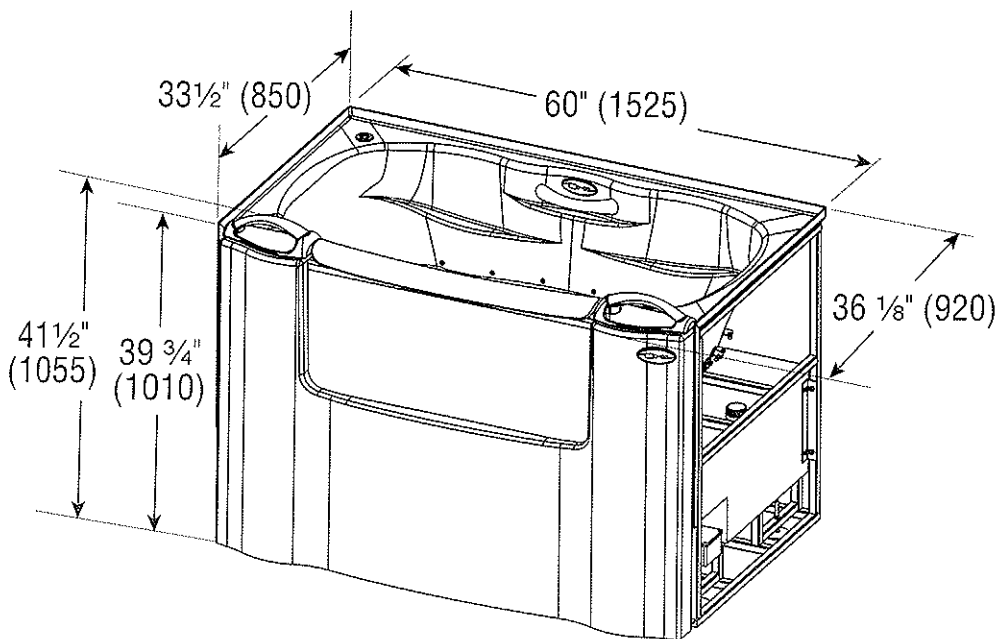
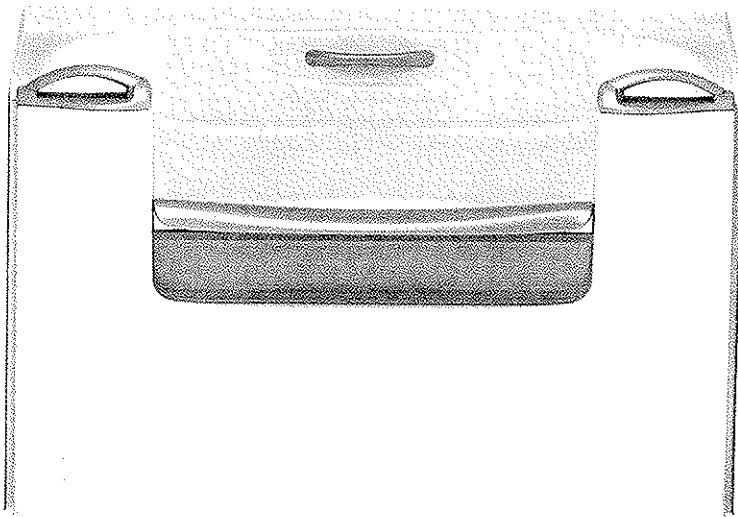
# AVA – FREEDOMLINE SERIES

F6032TR • 60" x 36 1/8" x 41 1/2" • (1525 x 920 x 1055) • Fax on Demand #1258

SOAKER MODEL #F6032TRO • \$12,000 List

WHIRLPOOL MODEL #F6032TR1 • \$13,500 List

AIR BATH MODEL #F6032TROA • \$14,000 List



## FEATURES

- Acrylic surface
- Alcove configuration
- Push-button electronic and pneumatic controls
- Drains up to 70 gallons (265 liters) of water in under 30 seconds
- 35 1/2" (900) door opening for easy access
- Bathing well depth: 16 1/4" (415)
- Transfer height: 21 3/4" (550)
- Automatic up/down door
- Durable, tempered, double pane glass door
  - patented coating for scratch resistance and low maintenance
- Ergonomically designed grab bars
- Patent-pending linear sheet-flow drain
- Symmetrical drainage tank for universal installation
- Hydrotherapy system options: whirlpool, air bath
- Limited lifetime warranty

## AQUATIC ADVANTAGE

- National distribution
- 6 manufacturing facilities
- Centralized Customer Service
- Field support
- 24-hour fax-on-demand

